

## Maxi-Paw™ 2045A Rotor

### Closed-Case Impact Sprinkler

The Maxi-Paw's powerful throw permits maximum spacing and offers superior close-in watering and uniform water distribution. Low pressure loss and an efficient, straight-through flow design conserve energy and are ideal for dirty water applications. The optional Seal-A-Matic™ prevents run-off, puddling, and erosion caused by low head drainage. And most important, it's rugged and dependable, popping up on schedule again and again because of the multi-function wiper seal.

The Maxi-Paw™ Rotor—a tradition of excellence.

#### Features

- Five interchangeable, color-coded MPR nozzles
- Two interchangeable low-angle (LA) nozzles
- No tools required to change nozzles
- Heavy-duty plastic case with sturdy, reinforced ribbed design
- Double-weighted arm for slower rotation and increased distance of throw
- Self-flushing inner trip with improved inner trip lever
- Powerful reverse action
- Adjustable arm spring for low-pressure and low-gallage operation
- Energy efficient, low-pressure and low-gallage operation
- Proven impact drive
- Straight-through flow
- Full-circle or adjustable arc 20° to 340°
- Precision Jet Tube (PJ™)
- Hooded bearing
- Distance controller diffuser pin
- Multi-function, pressure-activated wiper seal
- FP trip for full- or part-circle operation
- Inlet filter screen
- Combination 1/2" (15/21) or 3/4" (20/27) bottom inlet
- Serviceable through the top of the case
- Optional internal Seal-A-Matic™ (SAM) prevents puddling and erosion caused by low head drainage and saves water

#### Operating Range

- Precipitation Rate: 0.18 to 0.79 inches per hour (5 to 20 mm/h)
- Spacing: 22 to 50 feet (6,7 to 12,2 m)
- Flow rate: 1.5 to 8.4 gpm (0,01 to 0,52 l/s; 0,36 to 1,86 m³/h)
- Radius: 22 to 45 feet (6,7 to 13,7 m)
- Pressure: 25 to 60 psi (2,0 to 4,5 bar)

#### Specifications

- Combination 1/2" (15/2 1) or 3/4" (20/2 7) female bottom inlet
- 1/2" (15/21) female side inlet
- Nozzles: 06-red; 07-black; 08-blue; 10-yellow; 12-beige
- LA nozzles: 07LA-black; 10LA-yellow
- Nozzle outlet trajectory is 23°
- LA nozzle outlet trajectory is 11°
- Side inlet installation is not recommended in freezing climates
- Optional SAM feature holds back up to 10 feet (3,1 m) of elevation change

#### Dimensions

- Overall height: 9 3/10" (23,6 cm)
- Top diameter: 5" (12,7 cm)

#### Models

- 2045A Maxi-Paw™
- 2045A Maxi-Paw-SAM

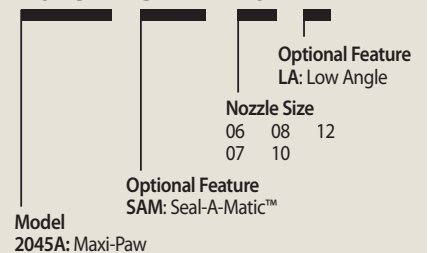
#### Available Nozzles

- Standard trajectory
  - 06, 07, 08, 10, 12
- Low angle
  - 07LA, 10LA



#### How To Specify

2045A - SAM - 10 - LA



Maxi-Paw™ / Maxi-Paw SAM Performance						
Pressure psi	Nozzle	Radius ft.	Flow gpm	■ Precip In/h	▲ Precip In/h	
25	● 06	-	-	-	-	
	● 07 LA	22	1.5	0.60	0.69	
	● 07	32	2.2	0.41	0.48	
	● 08	35	2.8	0.44	0.51	
	● 10 LA	25	3.4	1.05	1.21	
	● 10	38	4.2	0.56	0.65	
35	● 12	39	5.5	0.70	0.80	
	● 06	37	2.0	0.28	0.32	
	● 07 LA	23	1.9	0.69	0.80	
	● 07	37	2.7	0.38	0.44	
	● 08	38	3.3	0.44	0.51	
	● 10 LA	29	4.0	0.92	1.06	
45	● 10	41	4.8	0.55	0.64	
	● 12	42	6.3	0.69	0.79	
	● 06	38	2.3	0.31	0.35	
	● 07 LA	25	2.1	0.65	0.75	
	● 07	39	3.0	0.38	0.44	
	● 08	40	3.7	0.45	0.51	
55	● 10 LA	31	4.5	0.90	1.04	
	● 10	42	5.4	0.59	0.68	
	● 12	44	7.1	0.71	0.82	
	● 06	38	2.5	0.33	0.39	
	● 07 LA	25	2.3	0.71	0.82	
	● 07	41	3.3	0.38	0.44	
60	● 08	41	4.1	0.47	0.54	
	● 10 LA	32	5.0	0.94	1.09	
	● 10	43	6.0	0.62	0.72	
	● 12	45	7.9	0.75	0.87	
	● 06	38	2.6	0.35	0.40	
	● 07 LA	25	2.4	0.74	0.85	
	● 07	41	3.5	0.40	0.46	
	● 08	42	4.2	0.46	0.53	
	● 10 LA	32	5.4	1.02	1.17	
	● 10	44	6.4	0.64	0.74	
	● 12	45	8.4	0.80	0.92	

Precipitation rates based on half-circle operation

■ Square spacing based on 50% diameter of throw

▲ Triangular spacing based on 50% diameter of throw

Maxi-Paw™ / Maxi-Paw SAM Performance							METRIC
Pressure bar	Nozzle	Radius m	Flow m³/h	Flow l/m	■ Precip mm/h	▲ Precip mm/h	
2.0	● 6	-	-	-	-	-	
	● 07 LA	6.8	0.38	6.0	16	19	
	● 7	10.4	0.55	9.0	10	12	
	● 8	11.0	0.68	11.4	11	13	
	● 10 LA	8.1	0.83	13.8	25	29	
	● 10	11.9	1.01	16.8	14	16	
2.5	● 12	12.3	1.32	22.2	18	20	
	● 6	11.3	0.46	7.8	7	8	
	● 07 LA	7.1	0.44	7.2	17	20	
	● 7	11.4	0.62	10.2	10	11	
	● 8	11.7	0.76	12.6	11	13	
	● 10 LA	8.9	0.92	15.6	23	27	
3.0	● 10	12.5	1.11	18.6	14	16	
	● 12	12.9	1.45	24.0	18	20	
	● 6	11.5	0.51	8.4	8	9	
	● 07 LA	7.5	0.47	7.8	17	19	
	● 7	11.8	0.67	11.4	10	11	
	● 8	12.1	0.83	13.8	11	13	
3.5	● 10 LA	9.4	1.01	16.8	23	27	
	● 10	12.8	1.21	20.4	15	17	
	● 12	13.3	1.59	26.4	18	21	
	● 6	11.6	0.55	9.0	8	9	
	● 07 LA	7.6	0.50	8.4	17	20	
	● 7	12.2	0.72	12.0	10	11	
4.0	● 8	12.4	0.89	15.0	12	13	
	● 10 LA	9.6	1.09	18.0	23	27	
	● 10	13.0	1.30	21.6	15	18	
	● 12	13.6	1.72	28.8	19	21	
	● 6	11.6	0.58	9.6	9	10	
	● 07 LA	7.6	0.54	9.0	18	21	
	● 7	12.5	0.78	13.2	10	11	
	● 8	12.7	0.94	15.6	12	14	
	● 10 LA	9.8	1.19	19.8	25	29	
	● 10	13.3	1.42	23.4	16	19	
	● 12	13.7	1.86	31.2	20	23	

Performance data collected in zero wind conditions

Performance data derived from tests that conform with ASAE Standards; ASAE S398.1.



2045A Maxi-Paw Nozzles

## Specifications

### 2045A Maxi-Paw™ FULL- or PART-CIRCLE Pop-Up Rotor

The full- or part-circle pop-up rotor sprinkler shall be a single nozzle impact drive type, capable of covering a \_\_\_\_\_ foot/meter radius at \_\_\_\_\_ pounds per square inch (PSI) or (Bars) with a discharge rate of \_\_\_\_\_ gallons per minute (gpm) or (l/s; m<sup>3</sup>/h). The part-circle sprinkler shall have an infinitely adjustable arc of coverage from 20° to 340°. Full-circle (360°) shall be accomplished by disengaging the trip mechanism of the impact drive.

The sprinkler case and internal assembly, except for the arm spring, bearing spring, wiper seal, and bearing washers, shall be constructed of durable engineered plastics. The rotation of the sprinkler shall be accomplished by a double-weighted, horizontal-oscillating Precision Jet (PJ™) arm, actuated by the outlet water stream. The double-weighted arm shall provide for a slower rotation speed and increased distance of throw.

The sprinkler shall have an adjustable diffuser pin for distance and distribution control and shall be capable of full- or part-circle operation. The sprinkler nozzle outlet trajectory shall be 23 degrees for the standard nozzles and 11 degrees for the low angle nozzles.

The sprinkler shall have a strong, stainless steel retract spring for positive pop-down. Pop-up height shall be 3" (7,6 cm).

The sprinkler shall have a multi-function, pressure-activated wiper seal for low pressure operation and for cleaning debris from the riser as it retracts into the case.

The sprinkler shall have a 1/2" (15/21) (FNPT) side and a combination 1/2" (15/2 1) or 3/4" (20/2 7) (FNPT) bottom inlet for installation flexibility and a bottom inlet screen to protect nozzle from clogging. The case shall have a sturdy, reinforced rib design with flange.

The sprinkler shall accept seven interchangeable, color-coded nozzles.

The sprinkler shall be as manufactured by Rain Bird Sprinkler Mfg. Corp., Glendora, California.

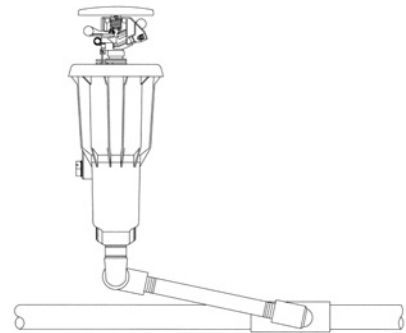
### 2045A-SAM FULL- or PART-CIRCLE Maxi-Paw™ Pop-Up Rotor with Seal-A-Matic™

#### Optional Feature Specifications

When so indicated on the design, the full- or part-circle pop-up rotor sprinkler shall have all the specifications of the standard version with a Seal-A-Matic™ (SAM) check valve to prevent low head drainage for elevation differences up to 10 feet (3,1 m).

The sprinkler shall be as manufactured by Rain Bird Sprinkler Mfg. Corp., Glendora, California.

Maxi-Paw on Bottom Inlet Swing Joint



**Rain Bird Corporation**  
6991 E. Southpoint Road  
Tucson, AZ 85756  
Phone: (520) 741-6100  
Fax: (520) 741-6522

**Rain Bird Technical Services**  
(800) RAINBIRD (1-800-724-6247)  
(U.S. and Canada)

**Rain Bird Corporation**  
970 West Sierra Madre Avenue  
Azusa, CA 91702  
Phone: (626) 812-3400  
Fax: (626) 812-3411

**Specification Hotline**  
800-458-3005 (U.S. and Canada)

**Rain Bird International, Inc.**  
1000 West Sierra Madre Ave.  
Azusa, CA 91702  
Phone: (626) 963-9311  
Fax: (626) 852-7343

The Intelligent Use of Water™  
[www.rainbird.com](http://www.rainbird.com)